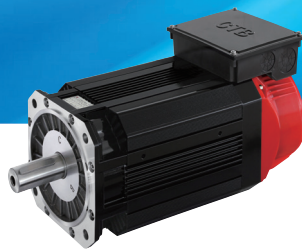


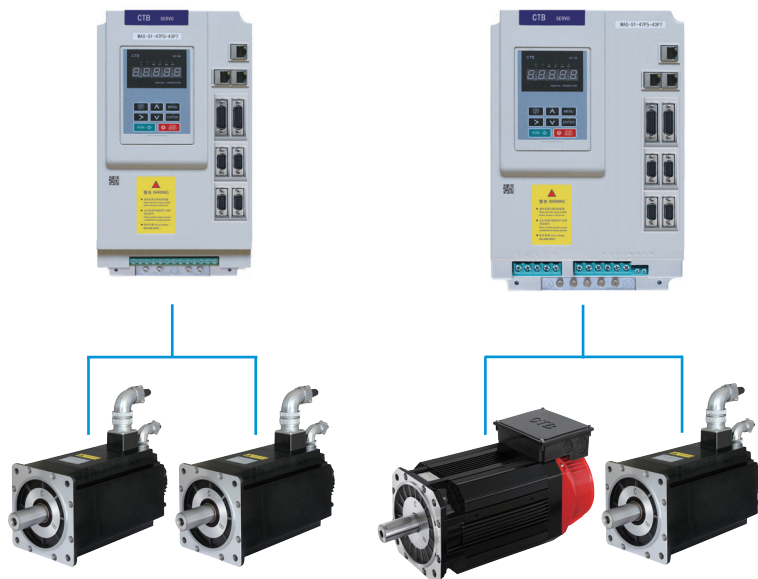


MAS SERIES MULTI-AXIS SERVO DRIVE

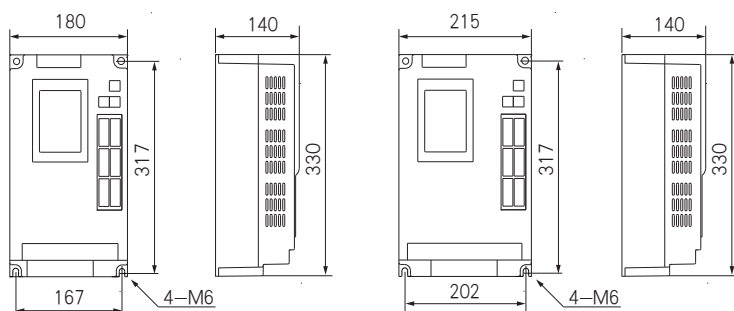


北京超同步伺服股份有限公司
BEIJING CTB SERVO CO.,LTD.

MAS MAS S1 double axis servo drive



Shape and mounting size



1.5-3.7KW

5.5-11KW

Performance index

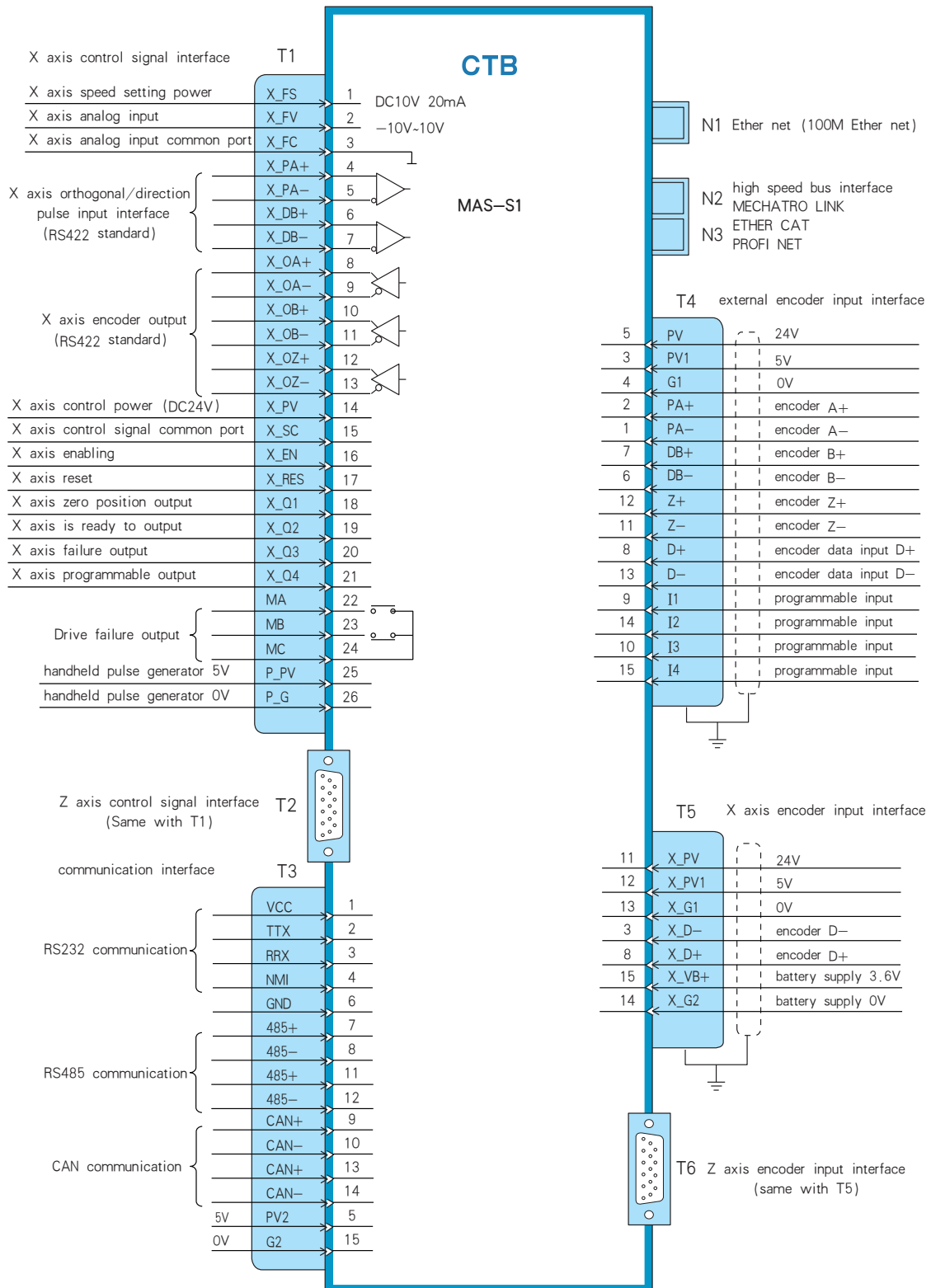
- ◆ Main drive unit: 1, 1.5~11KW
- ◆ Auxiliary drive unit: 1, 0.75~11KW
- ◆ Drive motor: AC induction servo motor/PMSM
- ◆ X/Z axis function: speed control, positioning control, zero return
- ◆ Communication interface: RS232 RS485 Ether net
- ◆ Bus Interface: MECHATROLINK ETHER CAT PROFINET
- ◆ The axial-control signal, analog, pulse, I/O, encoder output
- ◆ Relay output: 2channels(each 1 channel for X/Z axis)
- ◆ The hand wheel/external encoder interface: 1 channel incremental pulse input
- ◆ The motor encoder interface: 2channel CTB BUS
- ◆ Optional configuration: touch screen, the hand wheel, external encoder
- ◆ Control function: independent control of two axis, double axis joint control
- ◆ Applying area: Vertical lathe, gantry machine, general boring machine, heavy duty horizontal lathe, tapping machine, radial drilling machine etc.

Standard specification

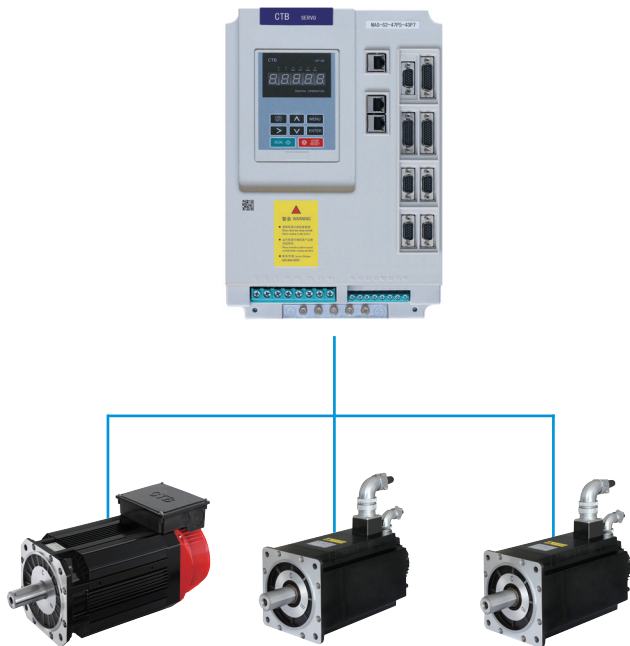
Power: 3 Phase 50/60Hz 380/400/440V

Model	Main drive unit (S axis)		Auxiliary drive unit (X axis)		Brake resistance (Model X quantity)
	Rated power (kW)	Rated current (A)	Rated power (kW)	Rated current (A)	
MAS-S1-41P5-4XXX	1.5	4	0.75/1.5/2.2/3.7 0P75/1P5/2P2/3P7	2/4/5/8	B200W300R × 1
MAS-S1-42P2-4XXX	2.2	5			B300W150R × 1
MAS-S1-43P7-4XXX	3.7	8			B600W50R × 1
MAS-S1-45P5-4XXX	5.5	13	5.5/7.5/11 5P5/7P5/011	13/17/25	B800W40R × 1
MAS-S1-47P5-4XXX	7.5	17			B1000W32R × 1
MAS-S1-4011-4XXX	11	25			B600W50R × 2

MAS-S1 standard wiring diagram



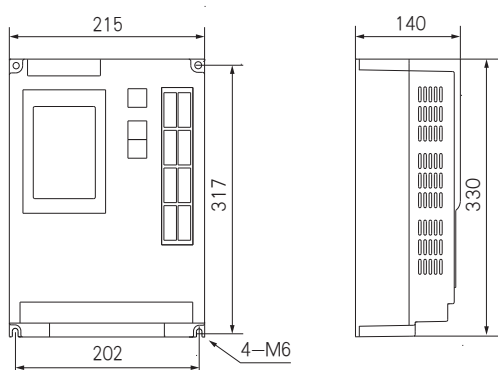
MAS S2 double axis servo driver



Performance index

- ◆ Main drive unit: S axis, 5.5~11KW
- ◆ Auxiliary drive unit: double axis(X/Z), 1.5~3.7KW
- ◆ Drive motor: AC induction servo motor/PMSM
- ◆ S axis function: forward/reversal rotation, accurate stop, rigid tapping, C-axis
- ◆ X/Z axis function: speed control, positioning control, zero return
- ◆ Communication interface: RS232 RS485 Ether net
- ◆ Bus Interface: MECHATROLINK ETHER CAT PROFINET
- ◆ The axial-control signal, impulse output, I/O, encoder output
- ◆ Relay output: 3channels(S/X/Z axis drive failure)
- ◆ The hand wheel/external encoder interface: 1 channel incremental pulse input
- ◆ The motor encoder interface: 3channel CTB BUS
- ◆ Optional configuration: touch screen, the hand wheel, external encoder
- ◆ Control function: independent control of each axis, multi-axis joint control
- ◆ Suitable CNC control system: Syntec, Siemens 808, domestic system
- ◆ Applying area: CNC lathe, lathe and milling working center.etc

Shape and mounting size



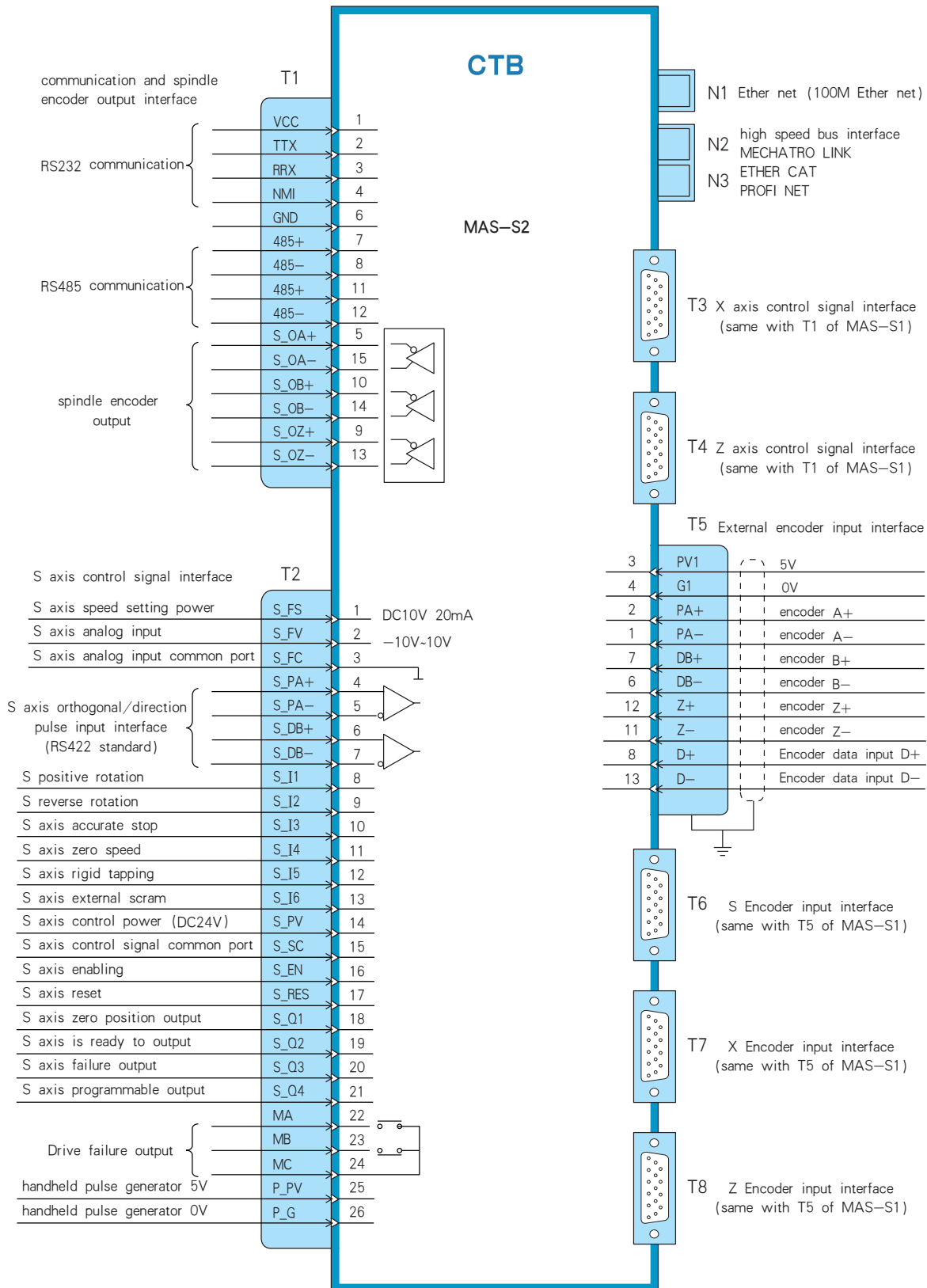
Standard specification

Power: 3 Phase 50/60Hz 380/400/440V

Model	Main drive unit(S axis)		Auxiliary drive unit(X axis/Z axis)			Brake resistance (Model X quantity)
	Rated power (kW)	Rated current(A)	Rated power (kW)	Rated current(A)	axis quantity	
MAS-S2-41P5-4XXX	1.5	4	0.75/1.5	2/4	2	B200W300R × 1
MAS-S2-42P2-4XXX	2.2	5	0.75/1.5/2.2	2/4/4	2	B300W150R × 1
MAS-S2-43P7-4XXX	3.7	8	1.5/2.2/3.7 1P5/2P2/3P7	4/5/8	2	B600W50R × 1
MAS-S2-45P5-4XXX	5.5	13			2	B800W40R × 1
MAS-S2-47P5-4XXX	7.5	17			2	B1000W32R × 1
MAS-S2-4011-4XXX	11	25			2	B600W50R × 2

Note: The power of X axis and Z axis, user can choose according to application need.

MAS-S2 standard wiring diagram



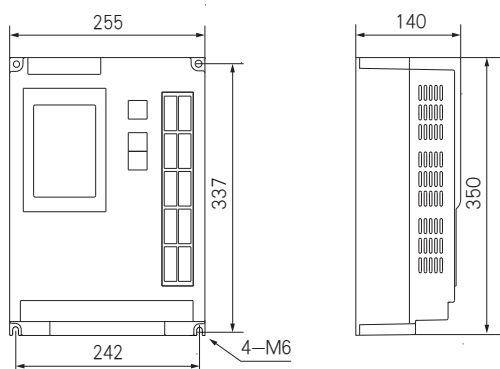
MAS S3 double axis servo drive



Performance index

- ◆ Main drive unit: S axis, 5.5~11KW
- ◆ Auxiliary drive unit: three axis(X/Y/Z), 1.5~3.7KW
- ◆ Drive motor: AC induction servo motor/PMSM
- ◆ S axis function: forward/reversal rotation, accurate stop, rigid tapping, C-axis
- ◆ X/Y/Z axis function: speed control, positioning control, zero return
- ◆ Communication: RS232 RS485 Ether net
- ◆ Bus Interface: MECHATROLINK ETHER CAT PROFINET
- ◆ The axial-control signal, impulse output, I/O, encoder output
- ◆ Relay output: 3channels(S/X/Z axis drive failure)
- ◆ The hand wheel/external encoder interface: 1 channel incremental pulse input
- ◆ The motor encoder interface: 3channel CTB BUS
- ◆ Optional configuration: touch screen, the hand wheel, external encoder
- ◆ Control function: independent control of each axis, multi-axis joint control
- ◆ Suitable CNC control system: Syntec, Siemens 808, domestic system
- ◆ Applying area: CNC milling machine, machining center, high speed drilling machine, engraving and milling machine, router etc

Shape and mounting size



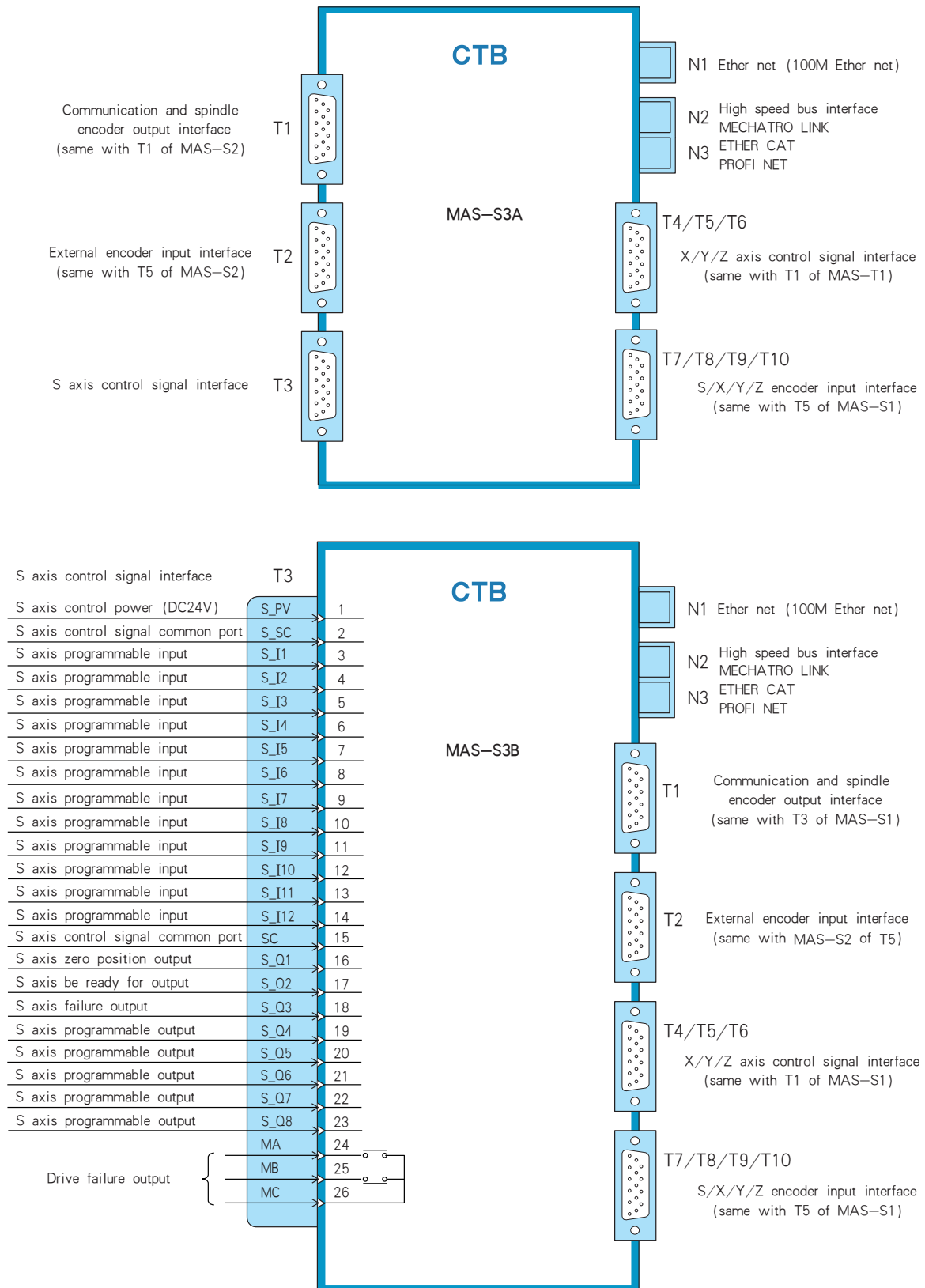
Standard specification

Power: 3 Phase 50/60Hz 380/400/440V

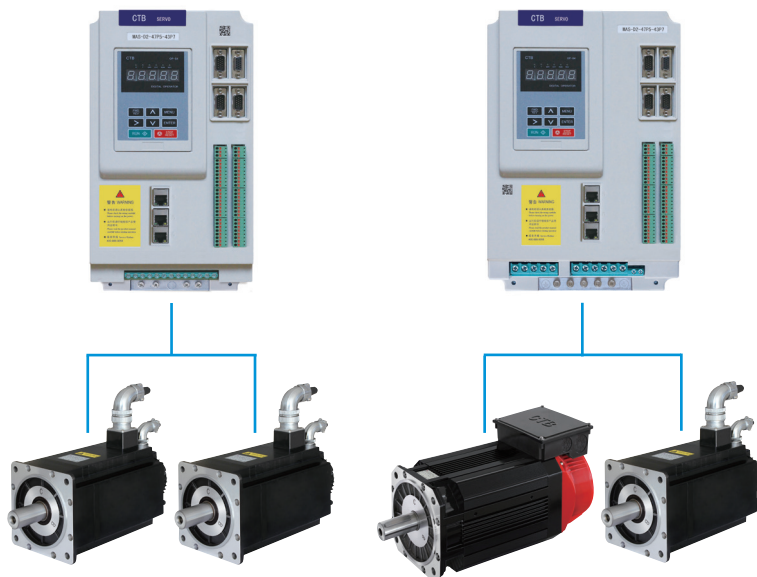
Model	Main drive unit(S axis)		Auxiliary drive unit(X axis)			Brake resistance (Model X quantity)
	Rated power (kW)	Rated current (A)	Rated power(kW)	Rated current (A)	axis quantity	
MAS-S3-45P5-4XXX	5.5	13	1.5/2.2/3.7 1P5/2P2/3P7	4/5/8	3	B800W40R × 1
MAS-S3-47P5-4XXX	7.5	17			3	B1000W32R × 1
MAS-S3-4011-4XXX	11	25			3	B600W50R × 2

Note: The power of X axis, Y axis and Z axis, user can choose according to application need.

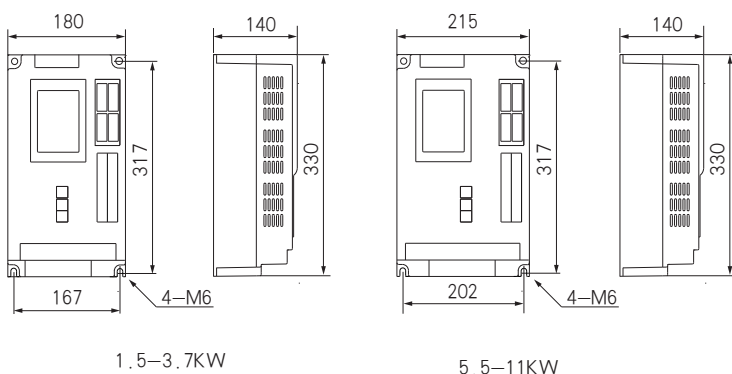
● MAS-S3 standard wiring diagram



MAS D2 double axis servo drive



Shape and mounting size



Performance index:

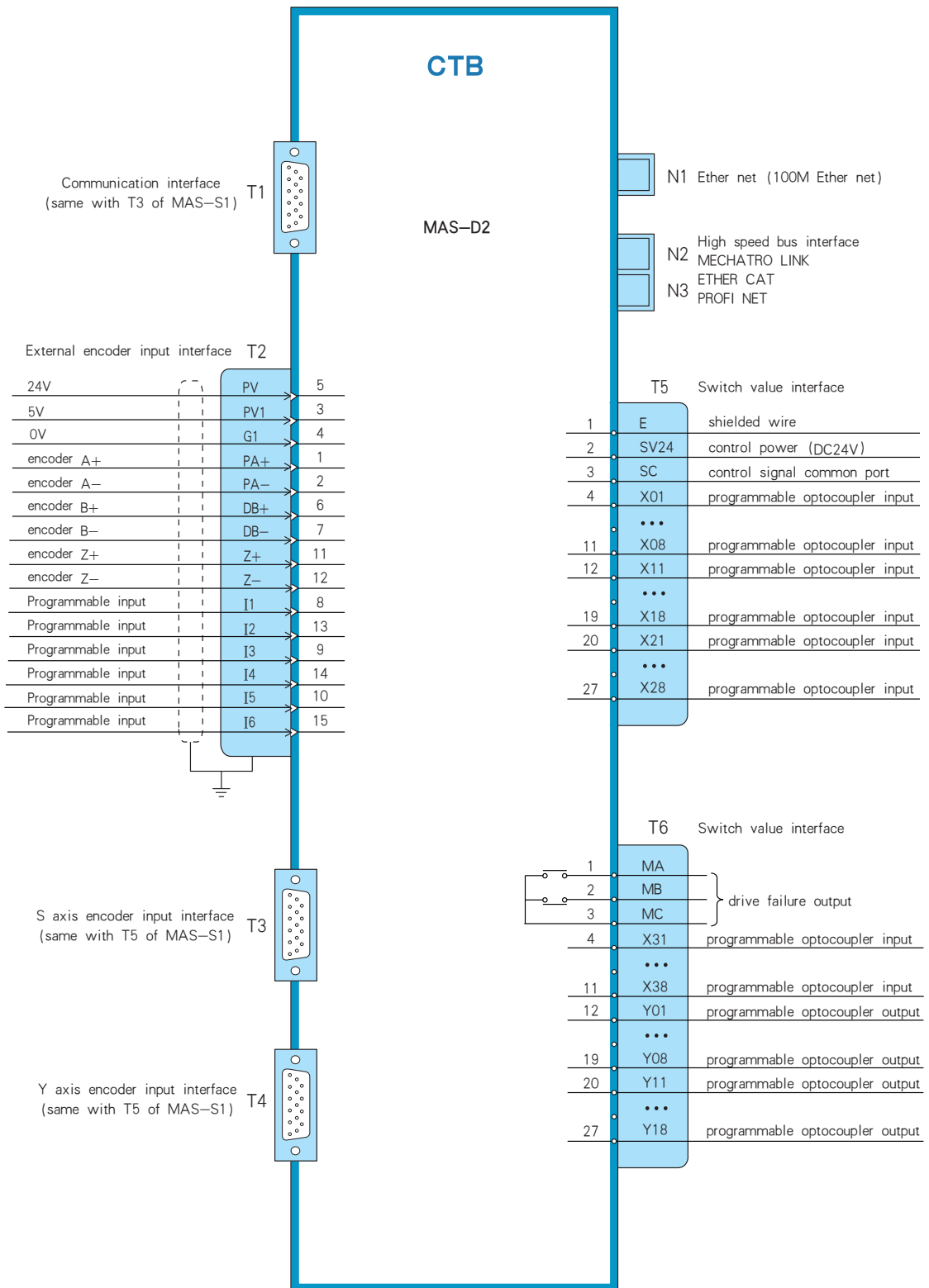
- ◆ X axis drive power: 1.5~15KW
- ◆ Z axis drive power: 1.5~11KW
- ◆ Drive motor: AC induction servo motor/PMSM
- ◆ Axis function: positioning control, speed control torque control
- ◆ Communication interface: RS232 RS485 CAN Ether net
- ◆ Bus Interface: MECHATROLINK ETHER CAT PROFINET
- ◆ The hand wheel/external encoder interface: 1 channel incremental pulse/resolver
- ◆ The motor encoder interface: 2channel CTB BUS
- ◆ Optional configuration: touch screen, the hand wheel, external encoder
- ◆ Programmable I/O: 32 input/16 output
- ◆ Programmable relay output: 1 channel
- ◆ Built-in programmable motion control module(Pmotion), ladder diagram programming
- ◆ Main applications: press machine, rotary cutting lathe, robot, etc

Standard specification

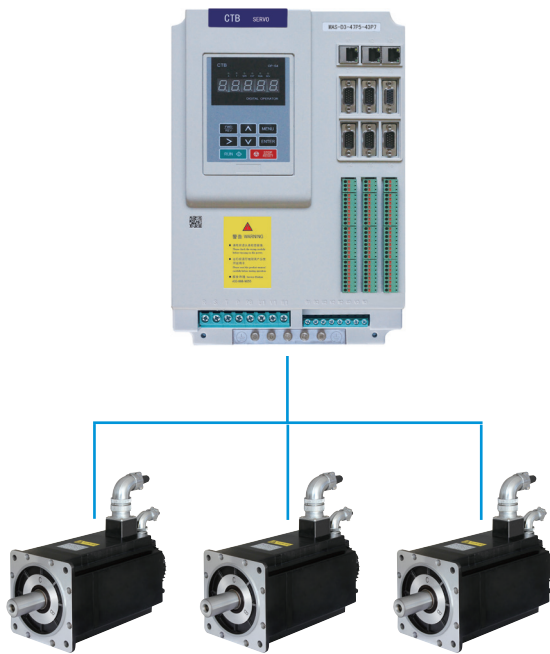
Power: 3 Phase 50/60Hz 380/400/440V

Model	X axis		Z axis		Brake resistance (Model X quantity)
	Rated power (kW)	Rated current (A)	Rated power (kW)	Rated current (A)	
MAS-D2-41P5-XXXX	1.5	4	0.75/1.5	2/4	B200W300R × 1
MAS-D2-42P2-XXXX	2.2	5	0.75/1.5/2.2	2/4/5	B300W150R × 1
MAS-D2-43P7-XXXX	3.7	8	0.75/1.5/2.2/3.7	2/4/5/8	B600W50R × 1
MAS-D2-45P5-XXXX	5.5	13	5.5/7.5/11 5P5/7P5/011	13/17/25	B800W40R × 1
MAS-D2-47P5-XXXX	7.5	17			B1000W32R × 1
MAS-D2-4011-XXXX	11	25			B600W50R × 2

● MAS-D2 standard wiring diagram



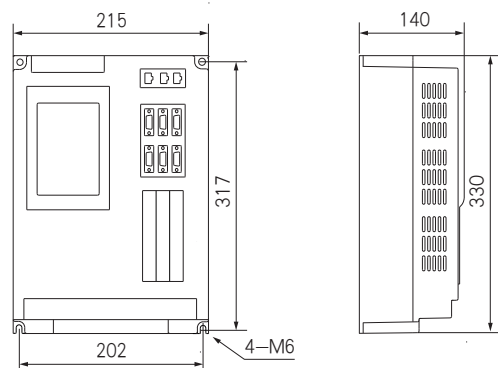
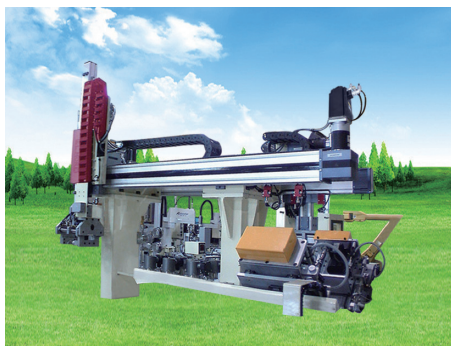
MAS D3 three axis servo drive



Performance index

- ◆ X axis drive power: 0.75~11KW
- ◆ Y/Z axis drive power: 0.75~3.7KW
- ◆ Drive motor: AC induction servo motor/PMSM
- ◆ Axis function: positioning control, speed control torque control
- ◆ Communication interface: RS232 RS485 CAN Ether net
- ◆ Bus Interface: MECHATROLINK ETHER CAT PROFINET
- ◆ The hand wheel/external encoder interface:
 - 1 channel incremental pulse input
- ◆ The motor encoder interface: 3 channel CTB BUS
- ◆ Optional configuration: touch screen, the hand wheel, external encoder
- ◆ Programmable I/O: 40 input/32 output
- ◆ Programmable relay output: 1 channel
- ◆ Built-in programmable motion control module(Pmotion), ladder diagram programming
- ◆ Main applications: press machine, rotary cutting lathe, robot, etc
- ◆ Main applications: truss type manipulator, three axis robot, small automatic line

Shape and mounting size

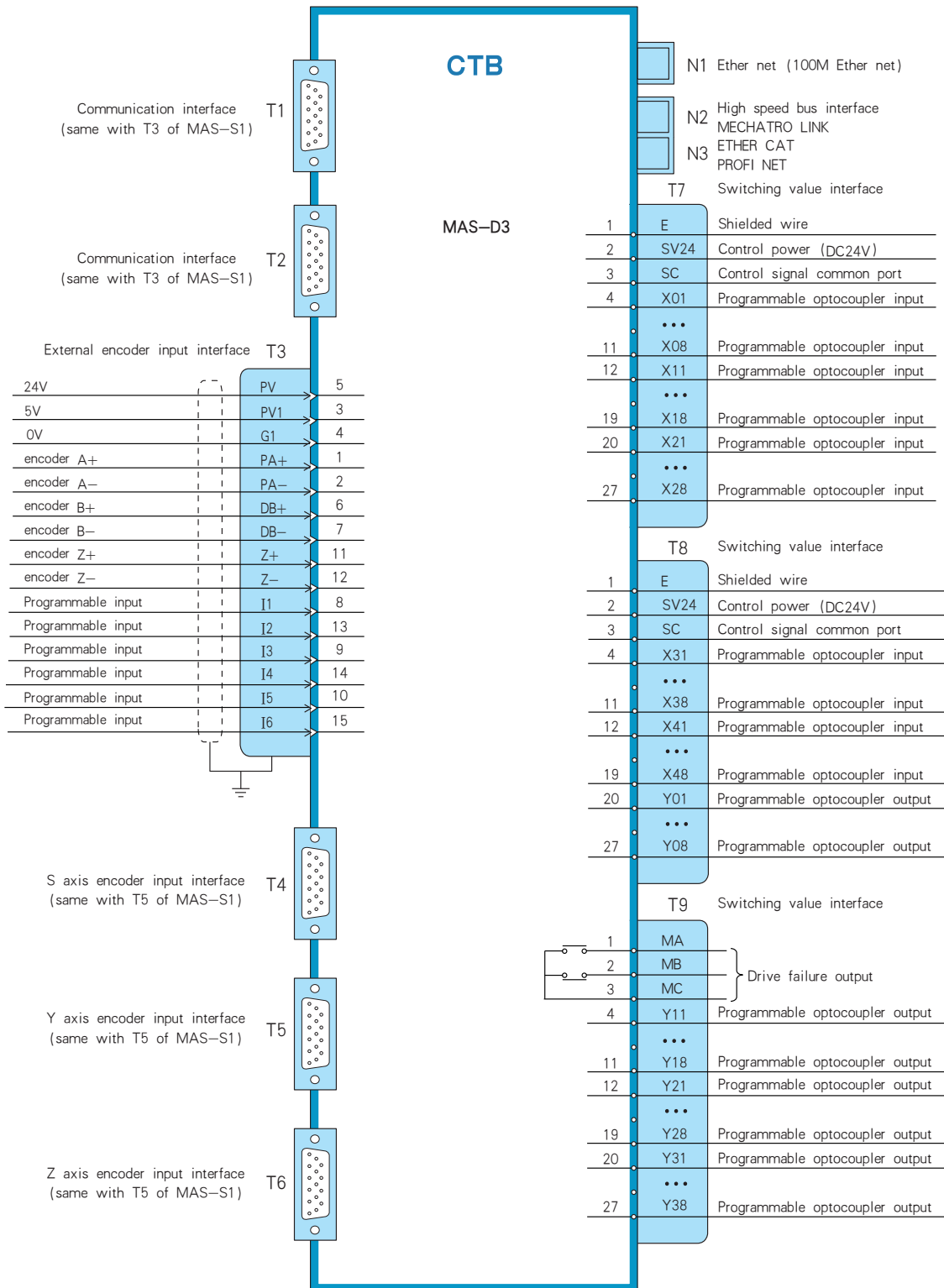


Standard specification

Power: 3 Phase 50/60Hz 380/400/440V

Model	X axis		Y axis		Z axis		Standard brake resistance Model × quantity
	Rated power (kW)	Rated current (A)	Rated power (kW)	Rated current (A)	Rated power (kW)	Rated current (A)	
MAS-D3-41P5-XXXX	1.5	4	0.75/1.5	2/4	0.75/1.5	2/4	B200W300R × 1
MAS-D3-42P2-XXXX	2.2	5	0.75/1.5/2.2	2/4/5	0.75/1.5/2.2	2/4/5	B300W150R × 1
MAS-D3-43P7-XXXX	3.7	8	1.5/2.2/3.7	4/5/8	1.5/2.2/3.7	4/5/8	B600W50R × 1
MAS-D3-45P5-XXXX	5.5	13					B800W40R × 1
MAS-D3-47P5-XXXX	7.5	17					B1000W32R × 1
MAS-D3-4011-XXXX	11	25					B600W50R × 2

MAS-D3 standard wiring diagram



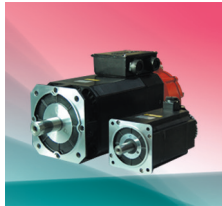
Surpass selfhood
keep pace with the world



OMIN SYSTEM



BK SERVICE



CTB MOTOR

PROVIDE THE PERFECT MECHANICAL CONTROL COMBINATION



Beijing CTB servo Co., Ltd

ADD: Xuezhixuan1215, xue qing road No.16,
Haidian district, Beijing.

Tel: 010-82755611

Fax: 010-82755610

Postcode: 100083

24 hours free hotline: 400-888-9055

<http://www.ctb.com.cn>

